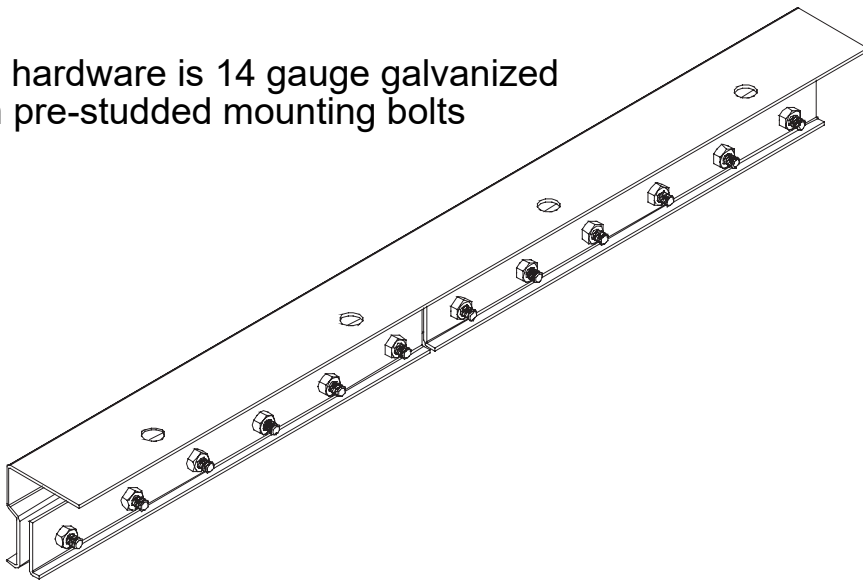
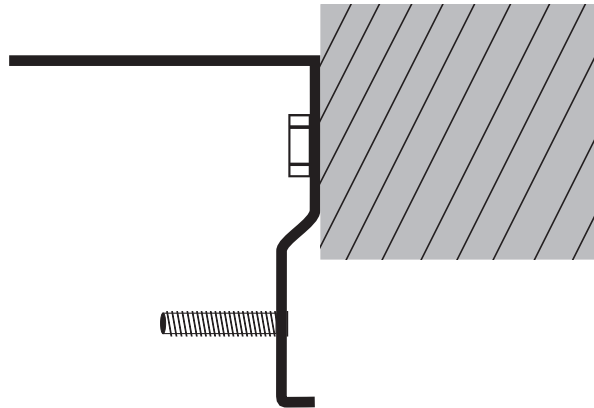


Mounting hardware is 14 gauge galvanized steel with pre-studded mounting bolts



Wall Mount bolts to wall



Ceiling mount bolts to header

