

1. Preparation:

Identify the locations where you want to install the acoustic clouds. Consider factors like room layout, sound source, and architectural features.

2. Gather Materials and Tools:

- FELT Clouds
- Aircraft cables or threaded rod (by others)
- Ceiling cable mounts or clips (by others)
- Ceiling anchors (if needed)
- Measuring tape
- Level
- Power drill and appropriate drill bits
- Screwdriver or wrench

3. Measure and Mark:

Use a measuring tape and level to mark the precise spots on the ceiling where the clouds will be suspended. Ensure that the marks are aligned and evenly spaced.

4. Install Ceiling Anchors (supplied by others):

Install ceiling anchors at the marked spots. Ceiling anchors (provided by others) and will vary based on the ceiling type. Use appropriate fasteners based on your ceiling type. For drywall ceilings, toggle eye bolts are commonly used. For hard substrates such as metal, wood, or concrete, screws and D-rings or eye plates popular.

5. Attach Ceiling Cable Mounts:

Securely attach cable mounts or clips to the ceiling or ceiling anchors. These mounts will serve as the points of attachment for the aircraft cables.

6. Attach Aircraft Cables or Threaded Rods:

Thread the aircraft cables through the ceiling cable mounts or connect threaded rods to ceiling. Make sure the cables/rods are of equal length.

7. Secure Cloud Hardware:

FELT Clouds come with the required hardware (brackets/grip locks) for suspension. Attach the necessary hardware to the clouds, see below for which hardware to use based on suspension method.

8. Hang Clouds

Lift the clouds and connect them to the aircraft cables or threaded rod. Ensure that the clouds hang parallel to the floor.

9. Adjust Height and Position:

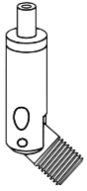
Adjust the height of each cloud by modifying the length of the aircraft cable or rod. Make sure the clouds are at the desired height and evenly aligned with each other.

10. Check and Secure:

Double-check the stability and alignment of the clouds. Make any necessary adjustments to ensure they are secure and properly positioned.

These installation suggestions consist of a common process for cloud installation. Installers should rely upon their own professional experience and understanding of their unique requirements to ensure a successful install.

ITEMS INCLUDED



Jointed Gripper

OPTIONAL SINGLE STRAND TO DECK INSTALLATION METHOD

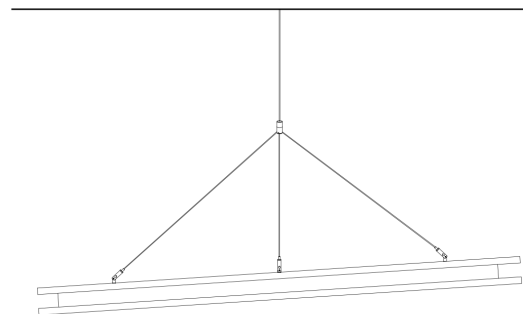


Sputnik assembly and cables with ball ends

MULTIPLE CABLE METHOD

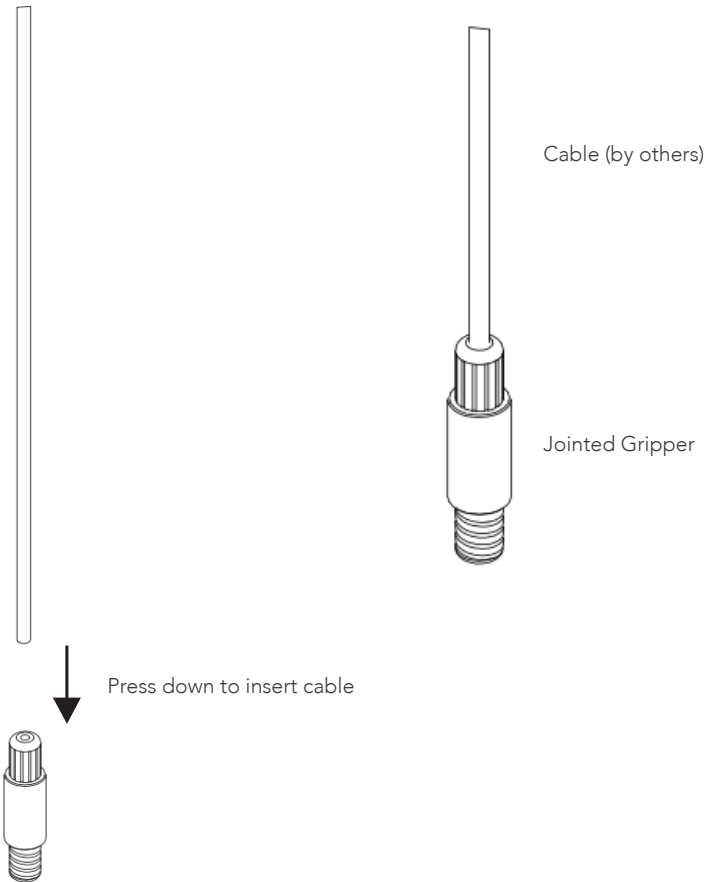


OPTIONAL SINGLE STRAND TO DECK INSTALLATION METHOD

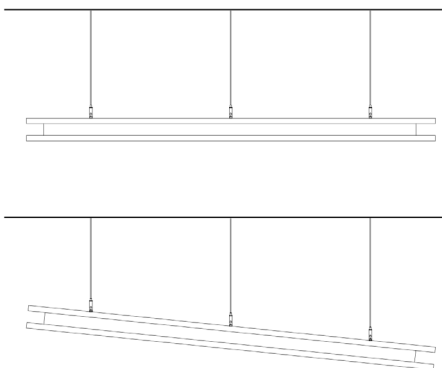


MULTIPLE CABLE METHOD

1. Press and hold the channel nut tip to insert the cable.

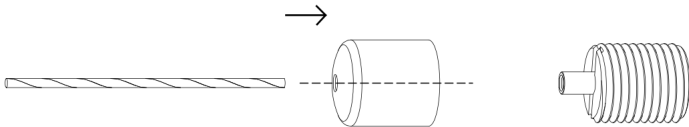


2. Locate the 1/4" threaded hole and screw in the jointed gripper.

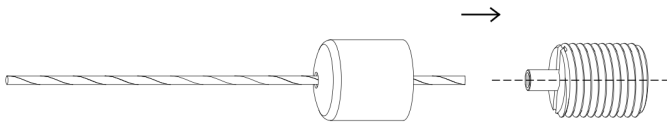


OPTIONAL SINGLE STRAND TO DECK INSTALLATION

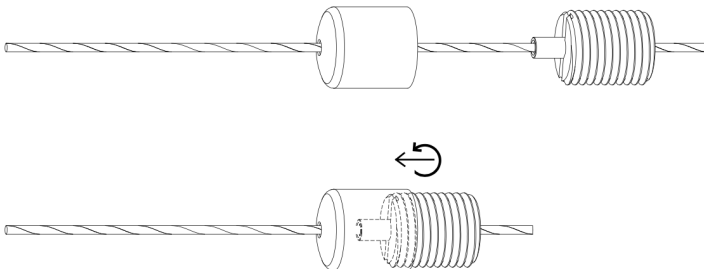
1. Insert the cable into the sputnik head.



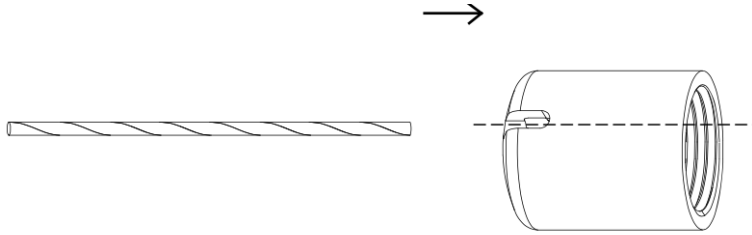
2. Insert the cable into the threaded head.



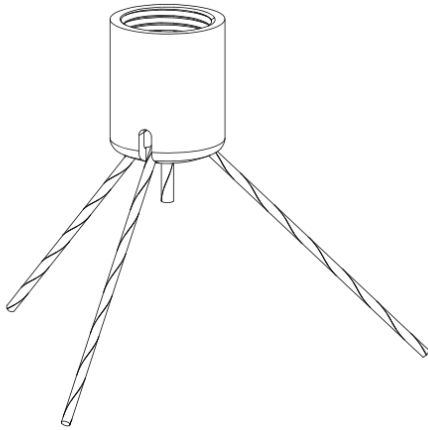
3. Screw it to the sputnik head.



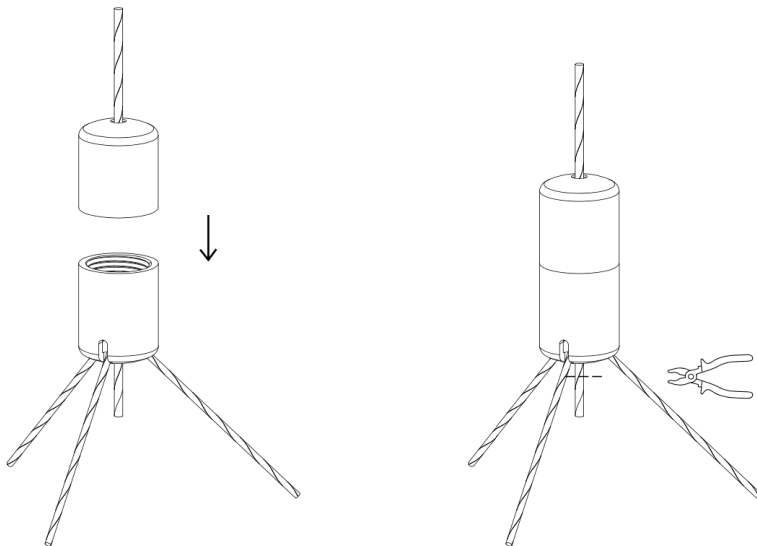
4. Insert cables to the bottom exit.



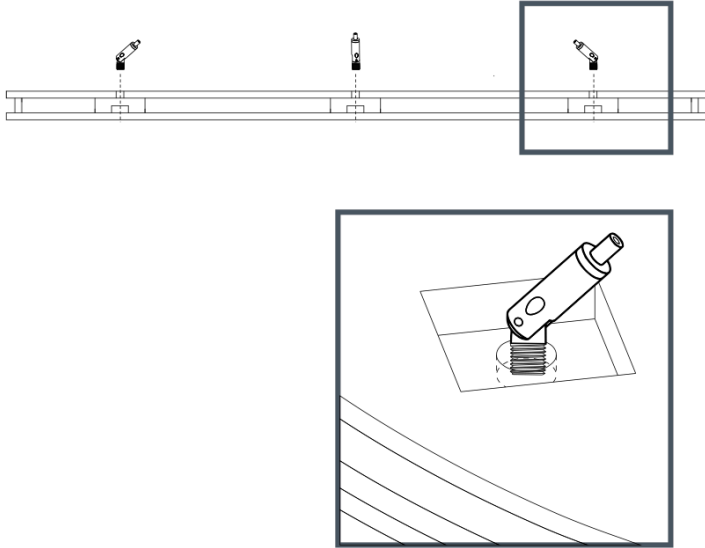
5. For the FELT CLOUD Circle use (3) included cables with ball ends to attach on the bottom exit; use (4) for the FELT CLOUD Square (not shown).



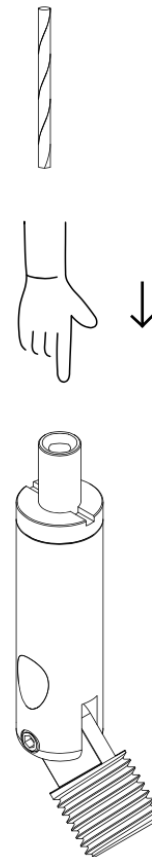
6. Screw it back to the sputnik head and cut excess wire.



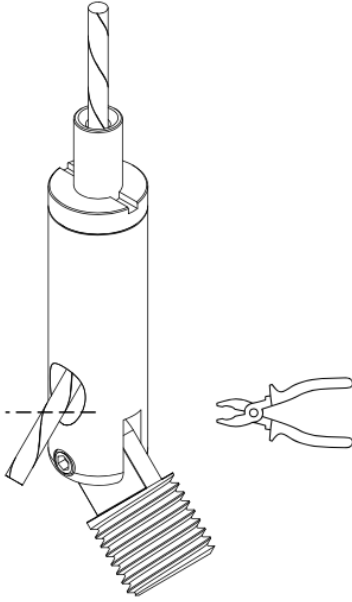
7. Locate the threaded hole to mount the jointed gripper.



8. Press and hold the spring portion to insert the cable.



9. After insert cut out the excess cable.



10. Finished assembly. Cloud can be hung at different lengths.

